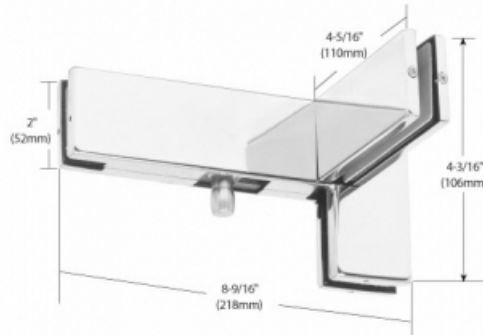


Model No
Description

Model No
Description

PF-SLTTPLH

Sidelite Mount Transom Top Pivot
With TTPI Insert Included
2 3/4" (70mm) or 2 9/16" (65mm)
Backset (Field Adjustable)



PF-TTPI

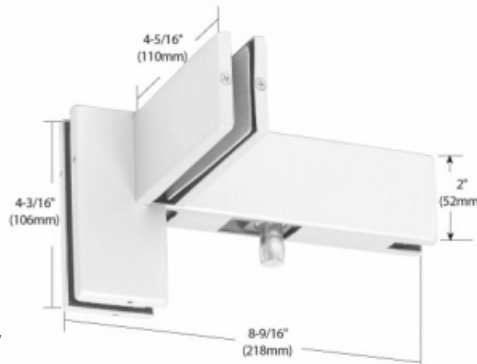
Transom Top Pivot Insert



Available 605, 629, 630 Please Specify When Ordering

PF-SLTP90RH

Sidelite Mount Transom Top Pivot
With TTPI Insert Included
2 3/4" (70mm) or 2 9/16" (65mm)
Backset (Field Adjustable)



PF-TTPI

Transom Top Pivot Insert



Available 605, 629, 630 Please Specify

PF-CMF

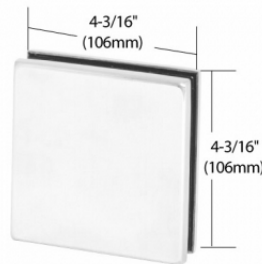
Ceiling Mount Fin Support Bracket



Available 605, 629, 630 Please Specify

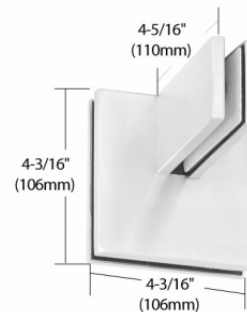
PF-PC4

Four Way Patch Connector

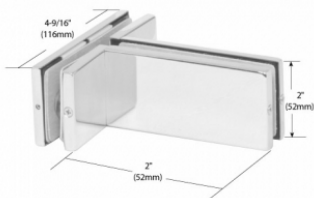


PF-PC4F (with Fin Bracket)

Four Way Patch Connector

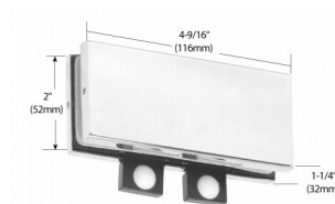


PF-CMF (with Fin Bracket)
Transom Mount Patch Connector



Available 605, 629, 630 Please Specify

PF-TMPC2RDS
Ceiling Mount Patch Connector
With Two Reversible Door Stops



PF-PC4F (with Fin Bracket)
Four Way Patch Connector

